

SLG

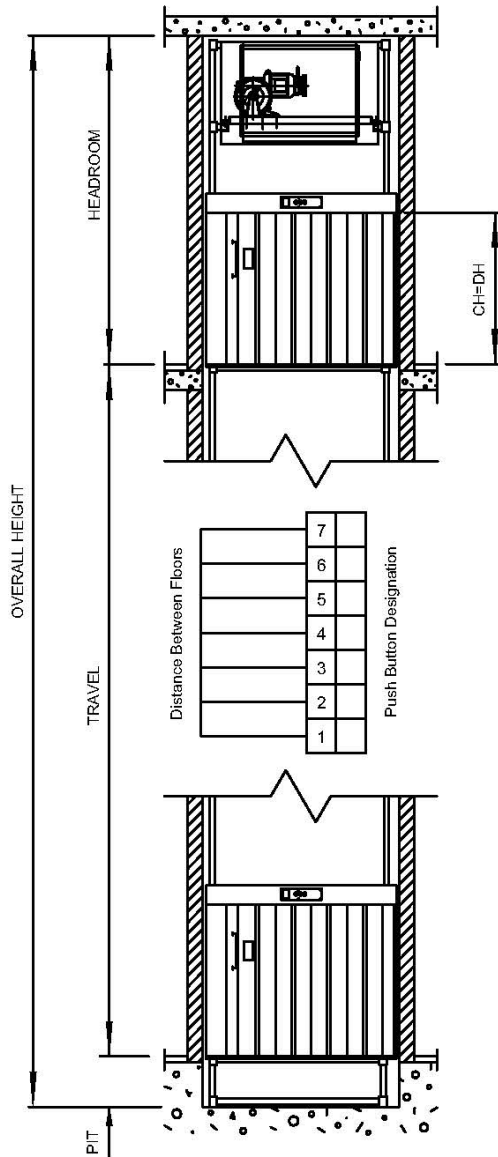
Goods Mover

DATA SHEET

SERVICE LIFT WITH CONCERTINA DOORS
AT FLOOR LEVEL
LATTICE GATES FITTED TO THE CAR

"ELEVATING YOUR BUSINESS"
SHERIDAN
Lifts Limited

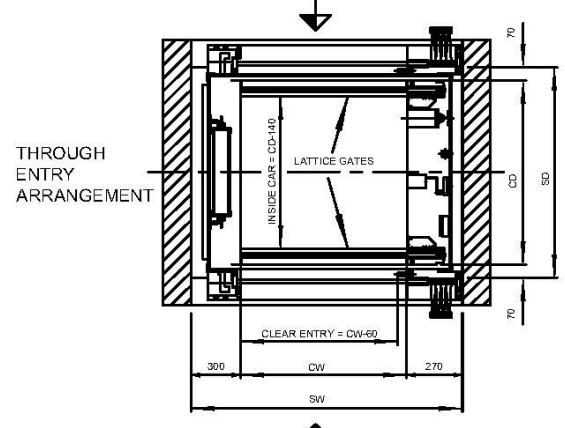
THIS DATA SHEET IS FOR PLANNING PURPOSES ONLY.
AN ACCURATE GENERAL ARRANGEMENT DRAWING
WILL BE PROVIDED ON RECEIPT OF AN ORDER.



BUNCHED R.H.

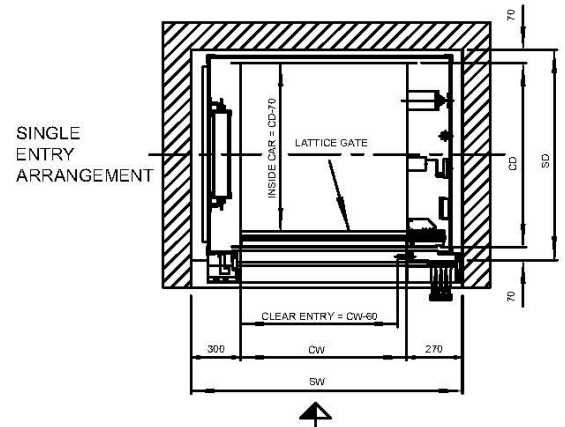
BUNCHED L.H. (SHOWN)

1	2	3	4	5	6	7
---	---	---	---	---	---	---



(SHOWN) BUNCHED R.H.

BUNCHED L.H.



(SHOWN) BUNCHED R.H.

BUNCHED L.H.

ALL DIMENSIONS ARE IN mm. AND ARE SUBJECT TO CHANGE

Q	V	TYPE	CAR DIMENSIONS						HEADROOM min. dim.	PIT
			CW min. max.	CD min max	size alt.	CH min. max.	size alt.			
250	0.30	300.30/42	400	900	50	600	100	CH+1300	260	
			1000	1000		1200				

DATE	PAGE 74	PART NO.	DRAWING NO.
28/04/08		5-60002-0020	5-60002-0020