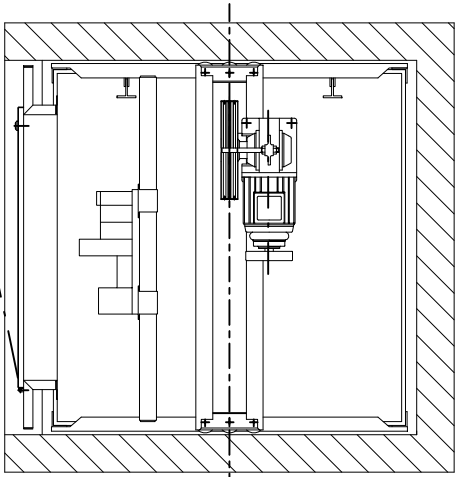
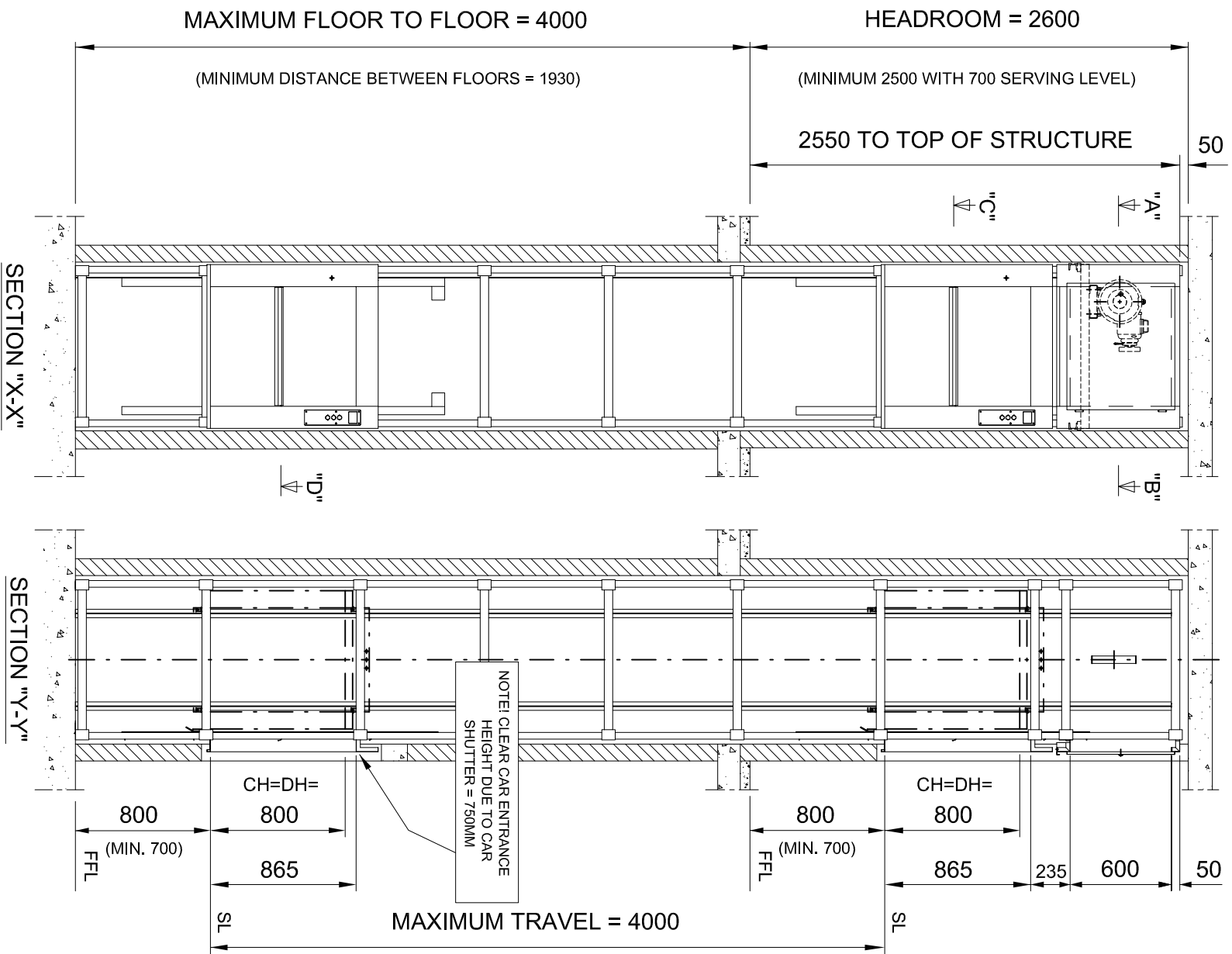
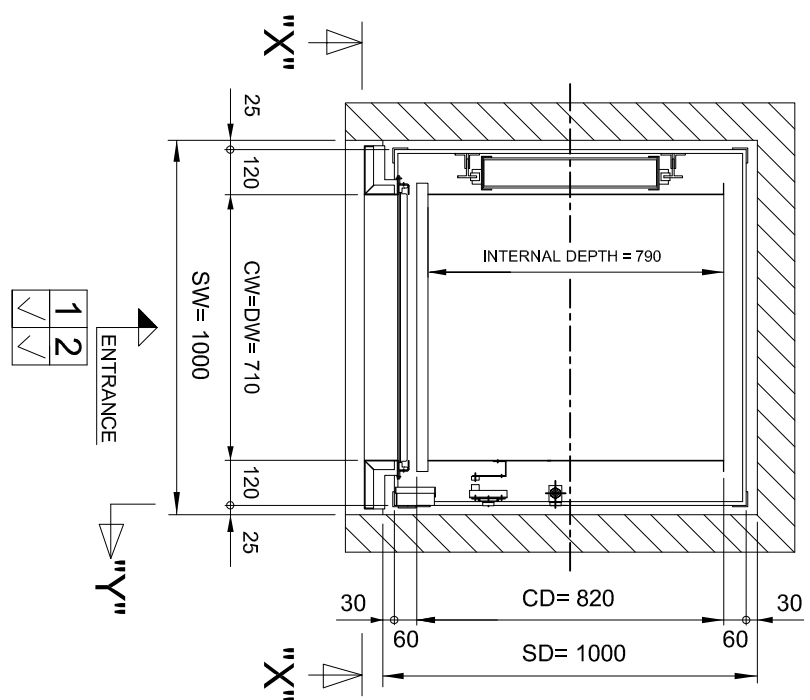


ALL DIMENSIONS ARE IN MILLIMETRES

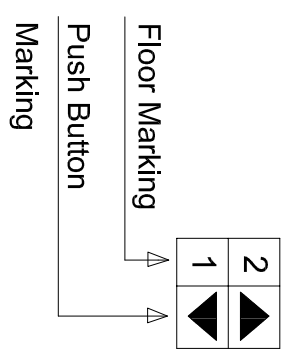


SECTION THROUGH AB
PLAN AT MACHINE LEVEL
MACHINE ROOM ACCESS DOOR



SECTION THROUGH C-D
PLAN OF WELL

DW = Door Width
DH = Door Height
CD = Car Depth
CH = Car Height
CW = Car Width
SD = Shaft Depth
SW = Shaft Width
SL = Serving Level
FFL = Finished Floor Level



LIST OF BUILDERS WORK.

1. Form trimmed hole through floor to size given.
2. Prepare, level and finish the pit floor at the lowest level served to receive the lift structure. (See separate note regarding loads)
3. Provide and fix enclosure work after erection of lift to form totally enclosed lift shaft to comply with requirements of any local and fire authority regulations. All enclosure materials must be incombustible. However, if the enclosure has to be built before the installation, it is imperative that the shaft enclosure is square and plumb, with tolerance on size -0mm to +20mm. Wall on entrance side must be fully left out until after lift installation
4. On existing lift shafts the entrance wall must be removed from floor to ceiling by full width of shaft.
5. A safe machine room access has to be ensured. Ladders are only admissible when the sill of the inspection door is not more than 2.7 metres above floor level. Also around the ladder, within a horizontal distance of 1.5 metres, there must be clear solid ground to avoid the risk of falling by more than the height of the ladder. A clear area of at least 700mm D x 600mm W is required in front of the sill access door
6. All shown dimensions for heights are based on finished floor to floor heights.
7. Shaft ventilation to be in accordance with local authority requirements. The machine room temperature must be maintained between +5°C and +40°C
8. Provide electrical supply for the machine room, positioned on the outside of machine room shaft wall. In the absence of a shaft wall, it must be positioned within a maximum distance of 1 metre from machine room
- Identification labels must be affixed.
- a) Provide and fit a triple pole & neutral switchfuse (lockable in OFF position) to suit 0.73 kW motor, 10.2 Amp starting current, 2.9 Amp running current. Drill a 20mm dia. hole through the back of the box and through lift shaft wall into the motor room.
- b) Provide and fit an RCD protected 13 Amp fused spur (switched) adjacent to the above and connected to the input side of (a). Drill a 20mm hole through the back of the box and through the lift shaft wall into the motor room.
9. Provide clear access from road to lift shaft for largest item of equipment : 820mm wide x 820mm deep x 1000mm high.
10. The illumination (either artificial or natural) in the area surrounding the lift entrance should be a minimum of 50 lux.
11. Provide temporary guarding around lift shaft to give a minimum of 1.5 metres clear working space around perimeter of shaft.
12. Provide scaffold boards to form working platforms, at minimum of 2.5 metres vertical centres. 4 OFF boards reqd. x 990mm long.
13. Provide ladders as required by lift installers.

NOTE! LIFT CANNOT BE INSTALLED UNLESS ENTRANCE WALL IS LEFT FULLY OUT!

NOTE! IF ACCESSIBLE SPACE EXISTS BENEATH THE LIFT SHAFT THEN SAFETY GEAR SHOULD BE FITTED TO COMPLY WITH BS EN 81-3:2001

APPROVED BY: _____ DRAWN: DATE: _____

REVISION	A		
	B		
	C		
	D		

LIFT TYPE: 100.45/4 LOAD: 100 kg SPEED: 0.45 m/s

ELECTRICITY SUPPLY: 400 Volts 3 Phase 50 Hz 4 Wire

DRAWN: D.G.D DATE: 28.08.10 DRAWING NO. ADV100-2-S-CS-MRD-3PH/1

CHECKED: I.C.W DATE: 28.08.10

THE "ADVANTAGE 100"

NOTE! THE FLOOR OF THE LIFT SHAFT MUST BE ABLE TO WITHSTAND THE FOLLOWING LOADS:-
 1. DEAD LOAD ON FLOOR SLAB DUE TO ENTIRE LIFT, LOAD & STRUCTURE = 11kN
 2. ADDITIONAL LOAD DUE TO LIFT CAR BUFFERING AT CONTRACT SPEED = 8kN
 3. KINETIC ENERGY DISPERSED ON IMPACT DUE TO FULLY LOADED LIFT CAR FALLING FROM HIGHEST POINT = 8kJ

NOTE: PROVISION MUST BE MADE BY THE BUILDER TO ALLOW THE LIFT ERECTOR TO FIX THE LIFT STRUCTURE TO THE BUILDING AT ITS BASE, AT ALL FLOOR LEVELS & AT THE TOP OF THE STRUCTURE, TO PREVENT HORIZONTAL MOVEMENT

ERECTORS PLEASE NOTE! THIS LIFT IS SUITABLE FOR A MAXIMUM TRAVEL OF 4000MM. IF THE TRAVEL DIMENSION ON SITE IS LESS THAN 4000MM THE GUIDES/CORNER ANGLES MUST BE CUT TO THE CORRECT LENGTH DURING INSTALLATION.